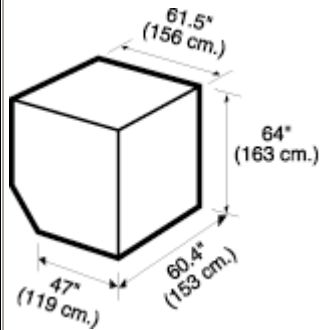


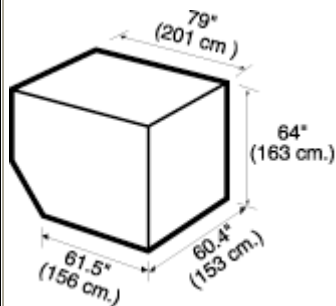


Air Freight Container Information



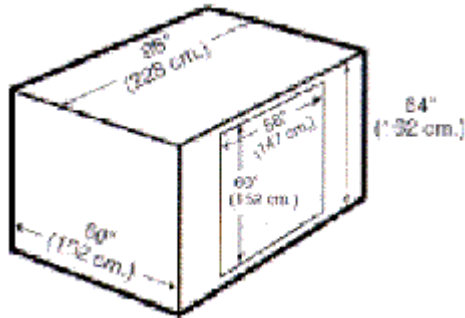
LD2 - [Equivalent to IATA Type 8D]

Internal Capacity :	247 cu.ft or 7 cu.m
Max. Gross Weight :	7,000Ib or 3,176 kg
Max External Dimensions :	125" x 60" x 63"
Length * Breadth * Height :	317 cm x 153 cm x 160 cm
Tare Weight :	630 lbs or 286 kg
Container Prefix :	AWB, ALP
Airline Accepted :	777, 747, 767-300



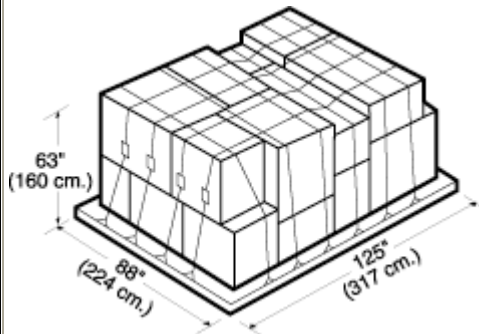
LD3 - [Equivalent to IATA Type 8]

Internal Capacity :	247 cu.ft or 7 cu.m
Max. Gross Weight :	7,000 lbs/3,176 kg
Max. External Dimensions :	125" x 60" x 64"
Length * Breadth * Height :	317 cm x 153 cm x 163 cm
Tare Weight :	220 lbs or 100 kg
Container Prefix :	DQF
Aircraft Accepted For :	777, 747, 767-300



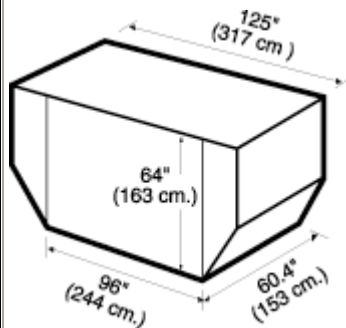
LD4 - [Equivalent to IATA Type7A]

Internal Capacity :	195 cu.ft or 5 cu.m
Max. Gross Weight :	5,400 lbs or 2,450 kg
Max. External Dimensions:	96" x 60" x 63"
Length * Breadth * Height :	244 cm x 153 cm x 163 cm
Tare Weight :	110 lbs or 50kg
Container Prefix :	PNA, FQF, PQF
Aircraft Accepted For :	767-300, 777



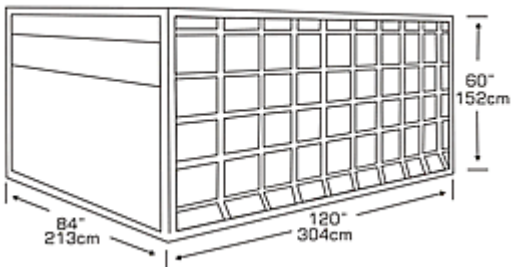
LD7 - [Equivalent to IATA Type5]

Internal Capacity :	350 cu.ft or 9.9 cu.m
Max. Gross Weight :	10,200 lbs/4,627 kg
Max. External Dimensions :	125" x 88" x 63"
Length * Breadth * Height :	317 cm x 223 cm x 160 cm
Tare Weight :	300 lbs or 137 kg
Container Prefix :	P1D, P1P, P1G, PAJ, PAD
Aircraft Accepted For :	777, 747, 767-300



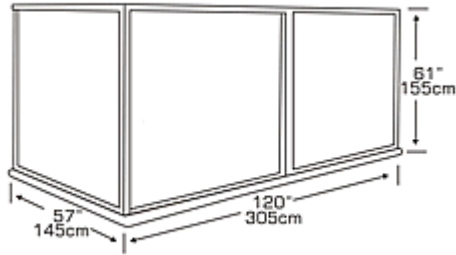
LD8 - [Equivalent to IATA Type 6A]

Internal Capacity :	243 cu.ft or 7 cu.m
Max. Gross Weight :	5,400 lbs or 2,450 kg
Max. External Dimensions :	Base. 96" x 60" x 64"
Length * Breadth * Height :	244 cm x 153 cm x 163 cm
Tare Weight :	254 lbs (115 kg)
Container Prefix :	DQF
Aircraft Accepted For :	777, 767



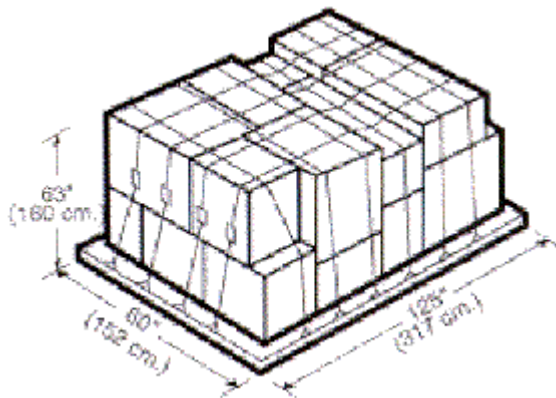
LD 9

Internal Capacity :	393 cu.ft
Max. Gross Weight :	13,300 lbs
Length * Breadth * Height :	88 in x 125 in x 64 in
Tare Weight :	356 lbs
Aircraft Accepted For :	B767, B747, DC10, B707, DC10, L1011, A300, A310



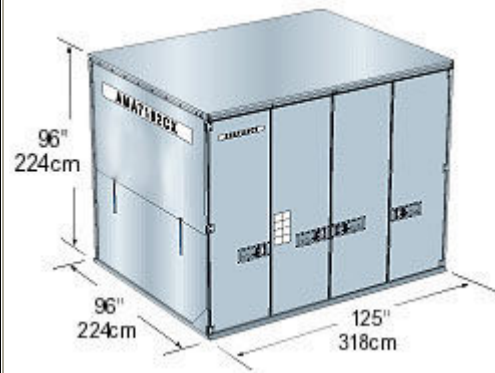
LD 11 - [Equivalent to IATA Type 6]

Internal Capacity :	247 cu ft/ 7 cu m
Max. Gross Weight :	7,000lb/3,176 kg
Max. External Dimensions :	125" x 60" x 63"
Length * Breadth * Height :	317 cm x 153 cm x 160 cm
Tare Weight :	630 lbs (286 kg)
Container Prefix :	AWB, ALP
Aircraft Accepted For :	777, 747, 767-300



P 9A - [Equivalent to IATA Type 6A]

Internal Capacity :	247 cu ft/ 7 cu m
Max. Gross Weight :	7,000 lbs/3,176 kg
Max. External Dimensions :	125" x 60" x 64"
Length * Breadth * Height :	317 cm x 153 cm x 163 cm
Tare Weight :	220 lbs (100 kg)
Container Prefix :	DQF
Aircraft Accepted For :	777, 747, 767-300



M 1

Internal Capacity :	605 cu ft
Max. Gross Weight :	15,000 lbs
Length * Breadth * Height :	96 in x 125 in x 96 in
Tare Weight :	834 lbs
Aircraft Accepted For :	B747F, B747, DC10, L1011, A300/F